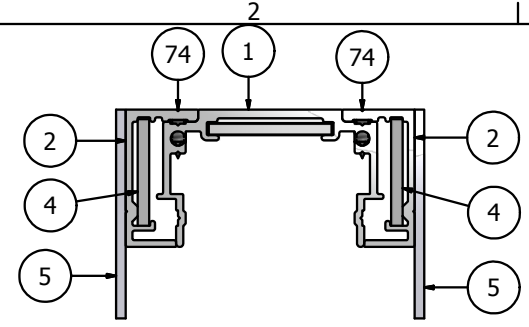
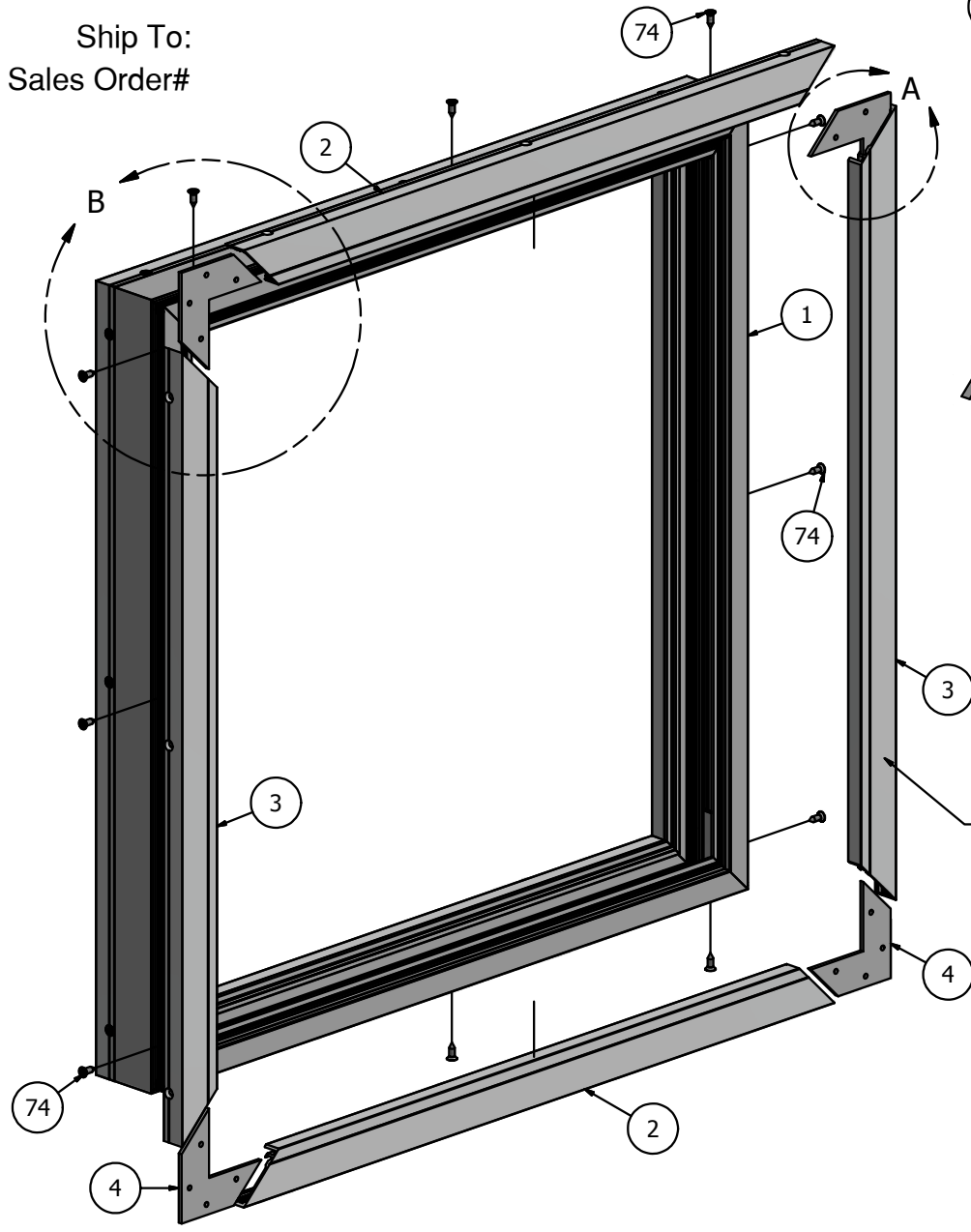
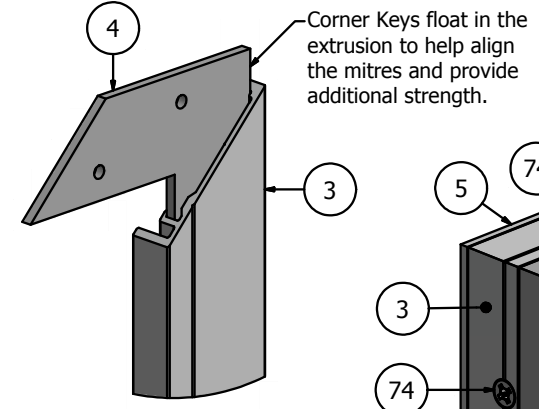


PARTS LIST			
ITEM	PART#	DESCRIPTION	NOTES
1	K1290	Series 3 Access Body	Assembly
2	1693	Frameless Cover	Top & Bottom
3	1693	Frameless Cover	Sides
4	5210	Corner Key	
5		Aluminum Face	Routers off Flush to the Cover - By Other
74	5168	Frameless Cover Screw	#10 countersink

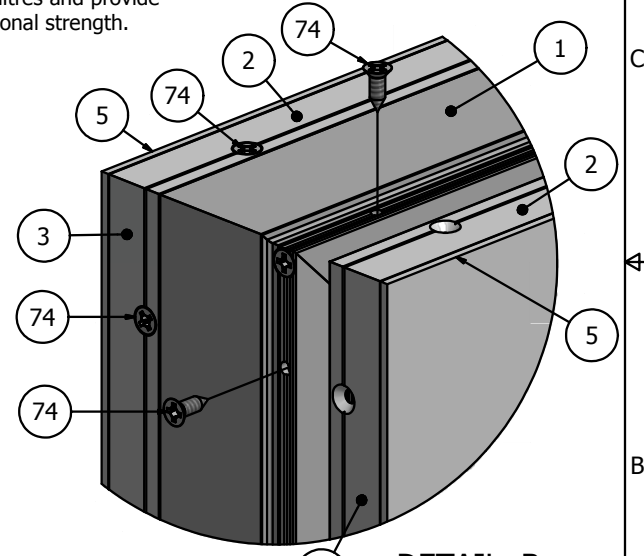
Ship To:
Sales Order#



CROSS-SECTION VIEW



DETAIL A



DETAIL B

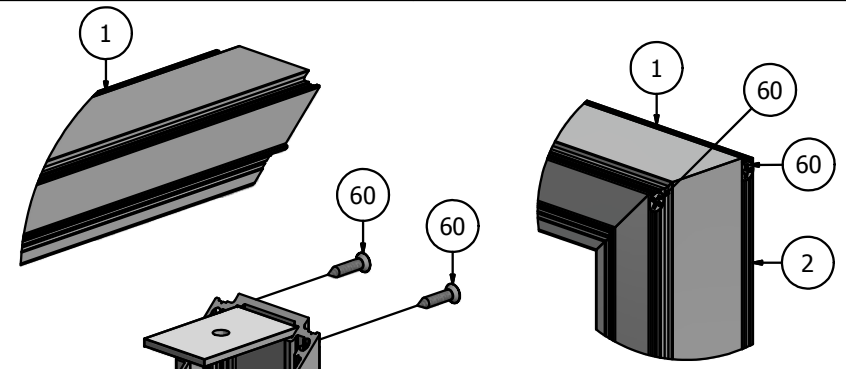
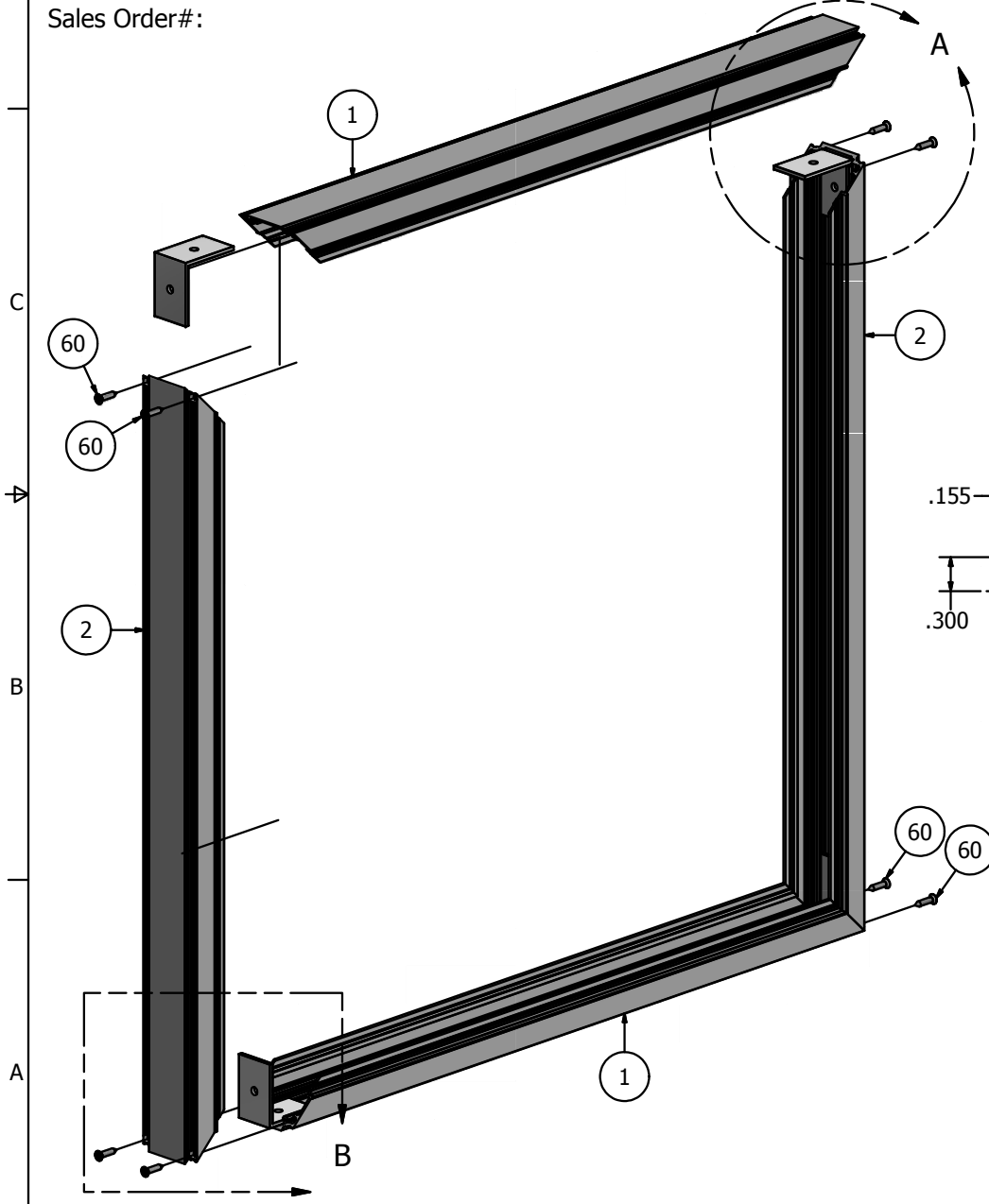
SURFACE THAT FACE IS BONDED TO.

NOTE: PRE-CUT KITS ARE NOT PRE-DRILLED.
(Holes shown in this drawing are for reference only.
Drilling of pilot holes are to be done by fabricator.)

DRAWING BY: SBreihof 4/17/2013		SignComp
Centroid X: 0.000 in	TITLE	
Centroid Y: 0.000 in	Series 3 Access Body - Frameless Cover	
Principal Moments Ix: 0.000 in ⁴	PART NO	REV
Principal Moments Iy: 0.000 in ⁴	1290-93	
Section Modulus Ix: 0.000 in ³	SHEET 1 OF 1	
Section Modulus Iy: 0.000 in ³		

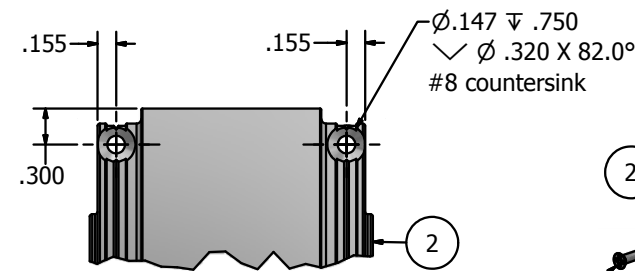
PARTS LIST			
ITEM	PART#	DESCRIPTION	NOTES
1	1290	Series 3 Access Body	Top & Bottom
2	1290	Series 3 Access Body	Sides
60	5241	Access Body Corner Screw	See Hole Detail
6	5339	Series 3 Access Body Corner Angle	One (1) per body corner

Ship To:
Sales Order#:

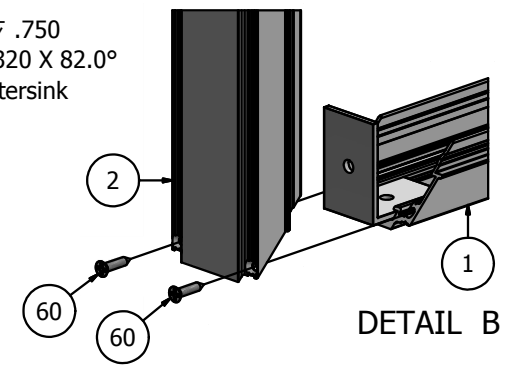


DETAIL A-1

DETAIL A-2



HOLE DETAIL
DRILLED BY OTHER



DETAIL B

NOTE: PRE-CUT KITS ARE NOT PRE-DRILLED.
(Holes shown in this drawing are for reference only.
Drilling of pilot holes are to be done by fabricator.)

THIS DRAWING WAS CREATED AT NO CHARGE TO ASSIST YOU IN VISUALIZING OUR PROPOSAL. THE DRAWING HEREIN IS THE PROPERTY OF SIGNCOMP. PERMISSION TO COPY OR REVISE THIS DRAWING OR TO USE THIS DRAWING FOR PRODUCTION IS STRICTLY PROHIBITED AND CAN ONLY BE COPIED, REVISED OR USED FOR PRODUCTION WITH THE EXPRESSED WRITTEN PERMISSION OF SIGNCOMP.		
DRAWN	SBreihof	9/7/2012
Centroid X:	0.000 in	
Centroid Y:	0.000 in	
Principal Moments Ix:	0.000 in ⁴	
Principal Moments Iy:	0.000 in ⁴	
Section Modulus Ix:	0.000 in ³	
Section Modulus Iy:	0.000 in ³	
<div style="text-align: center;">SignComp</div>		TITLE
		Series 3 - Access Body
DWG NO		REV
K1290		
SHEET 1 OF 1		